



**NS10P Series**

**SENTES**.com

Wide temperature range.

Providing professional IR sensors for different applications.





## Infrared Thermometer

- Wide Temperature range : 60°C ~ 1600°C
- Superior Optical resolution up to 150:1
- Spot sizes down to 2.3 mm
- 5 ms response time
- Coaxial Red Laser aiming
- Suitable for measuring metallic shiny surfaces (H3/H3L)
- 4 ~ 20mA output
- Digital RS485 communications
- Simultaneous analog and digital outputs
- Rugged IP 65 stainless steel housing
- Adjustable signal processing
- SToonline Software



## General Specifications

Environmental Rating	IP 65 (NEMA - 4)
Ambient Temperature	0°C to 70°C
Storage Temperature	-20°C to 80°C
Relative Humidity	10 to 95%, non-condensing
Cable Temperature	-20°C to 80°C
Weight	280g (2m cable)

## Electrical Specifications

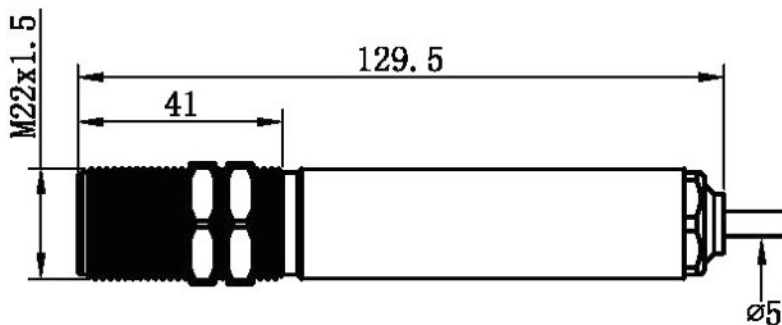
Analog Output	4~20mA
Digital Output	RS485 (2-wire)
Maximum Loop Resistance	500 Ω
Power Supply	24 VDC ± 20%
Current Draw	max. 100 mA
Cable Length	2 m (standard), 5m or 10m

## Measurement Specifications

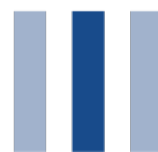
Temperature Range	H1 : 600°C ~ 1600°C (1112°F to 2912°F) H2 : 300°C ~ 1300°C (572°F to 2372°F) H3 : 100°C ~ 600°C (212°F to 1112°F) H3L : 60°C ~ 400°C (140°F to 752°F)
Spectral Response	H1: 1μm H2: 1.6μm H3/H3L: 2.3μm
Optics Resolution (90% energy)	H1 , 150 : 1 H2 , 150 : 1 H3 , 60 : 1 H3L , 40 : 1
Accuracy*1	±(0.5% of reading +2°C)
Repeatability*1	±(0.3% of reading +1°C)
Response Time (95% signal)	5 ms
Emissivity	0.100 ~ 1.000 (PC Software adjustable)
Temperature Resolution	0.1°C
Signal processing	peak hold, valley hold, average
Software	STonline

\*1 At 23°C ± 5°C, emissivity = 1.00

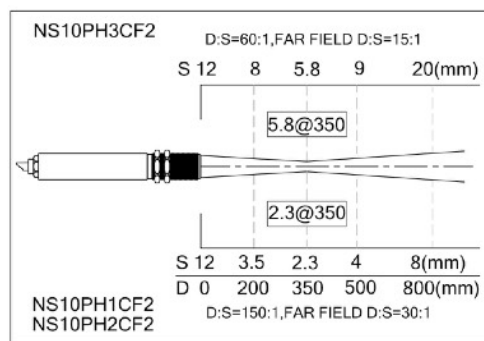
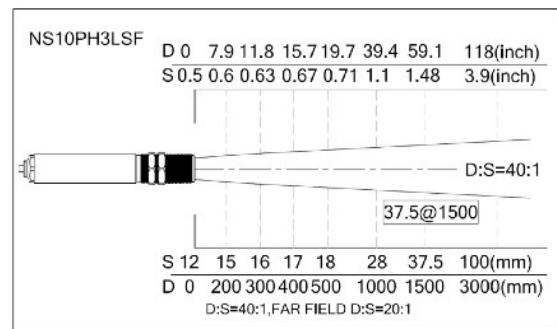
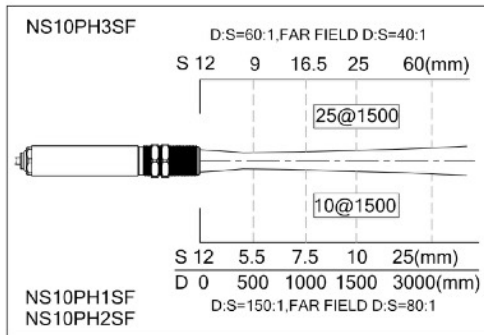
## Dimensions(mm)



## NS10P Series

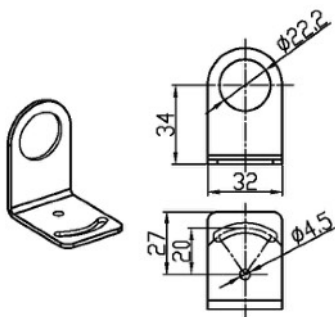


## Optical Specifications

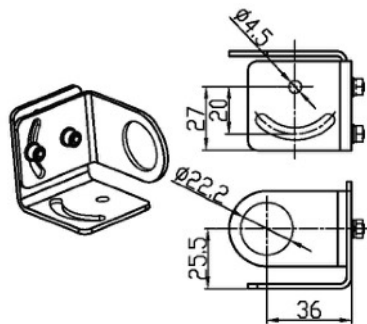


## Optional Accessories

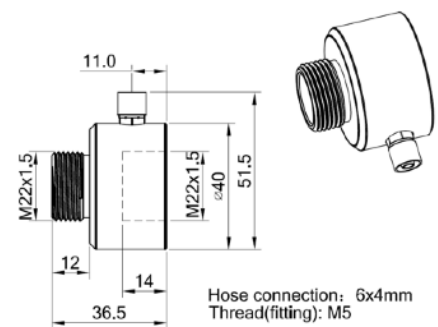
### Fixed Bracket



### Adjustable Bracket



### Air Purge Collar



Specifications are subject to change without notice  
NS10P-E202005-A

