



Infrared Thermometer



NS20

SENTEST.com

Wide temperature range.

Providing professional IR sensors for different applications.

General

Environmental Rating	IP 66
Ambient Temperature	-10°C to 70°C
Storage Temperature	-20°C to 80°C
Relative Humidity	10 ~ 95%, non-condensing
Cable Temperature	-20°C to 80°C PVC
Weight	210g

Measurement Specifications

Temperature Range	0°C ~ 500°C (32°F to 932°F)
Spectral Response	8 ~ 14 μm
Optics Resolution (90% energy)	15 : 1
Accuracy*1	±1.5% of reading or ±1.5°C , whichever is greater

Electrical

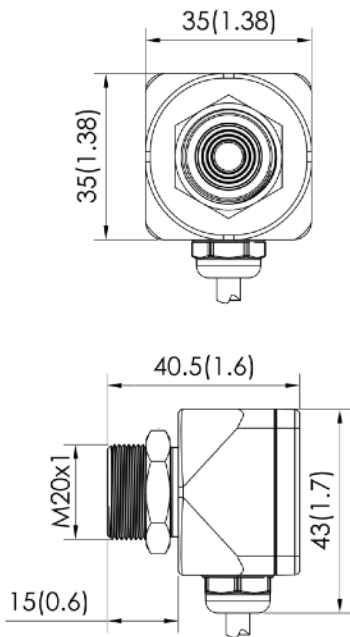
Analog Output	4 ~ 20mA (2-wire)
Power Supply	24 VDC ± 20%
Cable Length	2m, options : 5m or 10m

Repeatability*1 ±0.5% of reading or ±1°C , whichever is greater

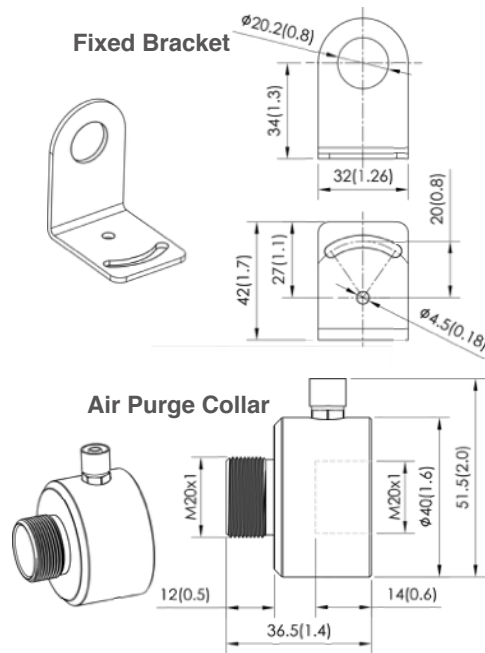
Temperature Resolution	0.1°C
Response Time (95% signal)	150 ms
Emissivity	0.950 Fixed

*1 At 23°C ± 5°C, emissivity = 0.95

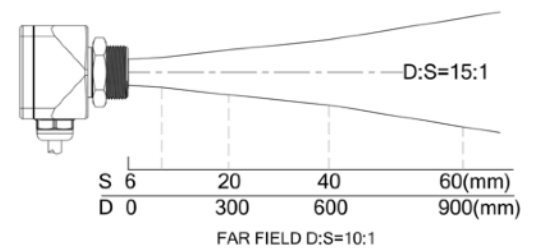
Dimensions(mm)



Optional Accessories



Optical Specifications



Specifications are subject to change without notice
NS20-E23-A



SENTEST Instruments Corporation Ltd.
1F., No. 43, Ln. 80, Guangfu N. Rd., Songshan Dist.,
Taipei City 105035, Taiwan
Tel : +886-2-2579-5079, Fax : +886-2-2579-5297
www.sentest.com