



NS50P Series

SENTES.com

Wide temperature range.

Providing professional IR sensors for different applications.



Infrared Thermometer

- Wide Temperature range : 0°C ~ 1600°C
- Superior Optical resolution up to 300:1
- Spot sizes down to 1 mm
- 5 ms response time
- Dual Laser Sighting
- 4 ~ 20mA output
- Simultaneous analog and digital outputs
- Adjustable signal processing
- 6 digit backlit LCD display
- SOnline Software



General Specifications

Environmental Rating	IP 65
Ambient Temperature	0°C to 70°C
Storage Temperature	-20°C to 80°C
Relative Humidity	10 to 95%, non-condensing
Cable Temperature	-20°C to 80°C
Weight	500g (without cable)

Electrical Specifications

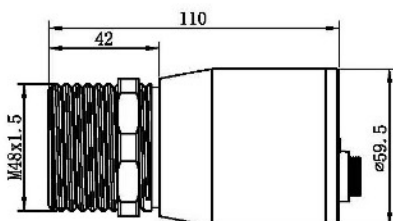
Analog Output	4~20mA
Digital Output	TTL / USB
Maximum Loop Resistance	500 Ω
Power Supply	24 VDC ± 20%
Current Draw	max. 100 mA
Cable Length	3 m (standard, 4-cores), 5 m / 10 m
Display	6 digit backlit LCD display

Measurement Specifications

Temperature Range	LT SF/CF: 0°C ~ 900°C (32°F to 1652°F) LR: 0°C ~ 1300°C (32°F to 2372°F) H1: 600°C ~ 1600°C (1112°F to 2912°F) H2: 300°C ~ 1300°C (572°F to 2372°F) H3: 100°C ~ 600°C (212°F to 1112°F) H3L : 60°C ~ 400°C (140°F to 752°F)
Spectral Response	LT/LR: 8 ~ 14μm H1: 1μm H2: 1.6μm H3: 2.3μm
Optics Resolution (90% energy)	LT, 60 : 1 (SF) / 75 : 1 (CF) LR, 120 : 1 H1, 300 : 1 H2, 300 : 1 H3, 140 : 1
Accuracy*1	LT/LR: ≥20°C, ±1% of reading or ±1.5°C, whichever is greater H1/H2/H3: ±(0.5% of reading + 2°C)
Repeatability*1	LT/LR: ±0.5% of reading or ±1°C, whichever is greater H1/H2/H3: ±(0.3% of reading + 1°C)
Temperature Resolution	0.1°C
Response Time (95% signal)	LT/LR: 150 ms H1/H2/H3: 5 ms
Emissivity (adjustable)	0.100 ~ 1.000, in 0.001 increments
Signal processing	peak hold, valley hold, average

*1 At 23°C ± 5°C, emissivity LT/LR = 0.95, H1/H2/H3 = 1.00

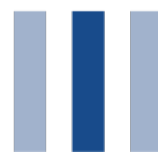
Dimensions(mm)



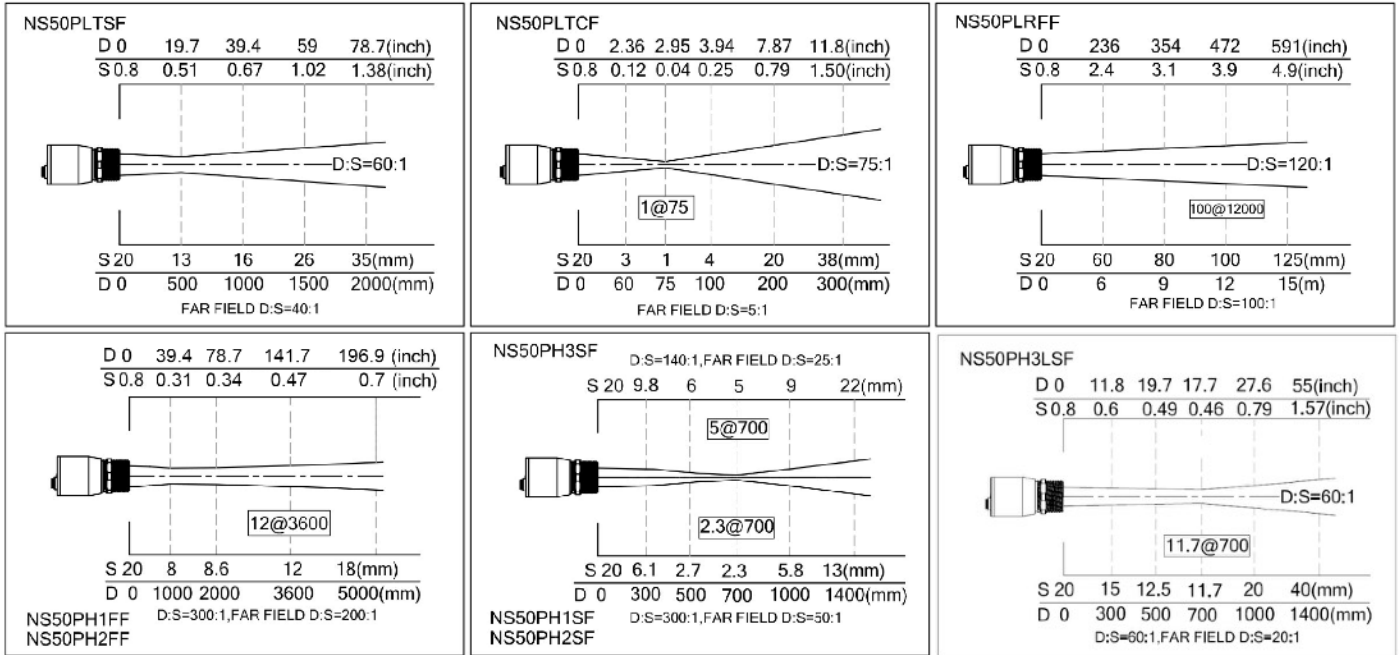
Control Panel



NS50P Series

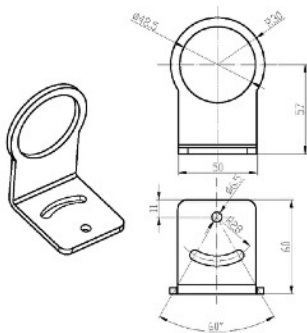


Optical Specifications

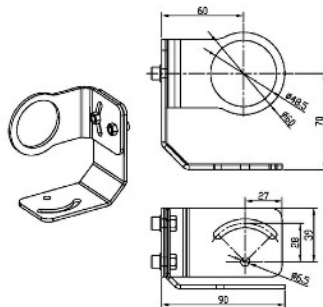


Accessories

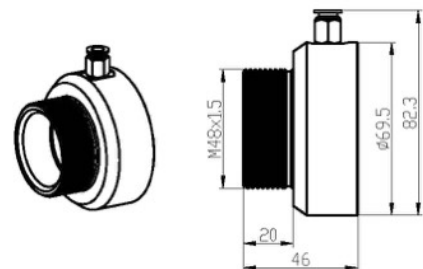
Fixed Bracket



Adjustable Bracket (Option)



Air Purge Collar (Option)



Specifications are subject to change without notice
NS50P-E23-A



SENTES Instruments Corporation Ltd.
1F., No. 43, Ln. 80, Guangfu N. Rd., Songshan Dist.,
Taipei City 105035, Taiwan
Tel : +886-2-2579-5079, Fax : +886-2-2579-5297
www.sentest.com