



NS18 Series

SENTEST.com

Wide temperature range.

Providing professional IR sensors for different applications.

General Specifications

Environmental Rating	IP 66
Ambient Temperature	-10°C to 70°C
Storage Temperature	-20°C to 80°C
Relative Humidity	10 ~ 95% non-condensing
Cable Temperature	-20°C to 80°C
Weight	170g ±5%

Electrical Specifications

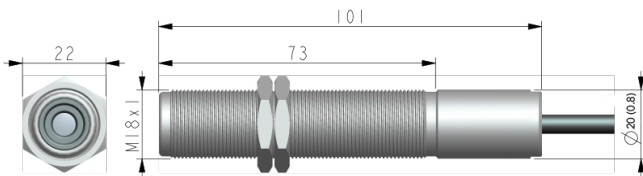
Analog Output	4~20mA
Digital Output	RS485, TTL (4~20mA 2-wire)
Power Supply	24 VDC ± 20%
Cable Length	2 m (standard), 5m or 10m

Measurement Specifications

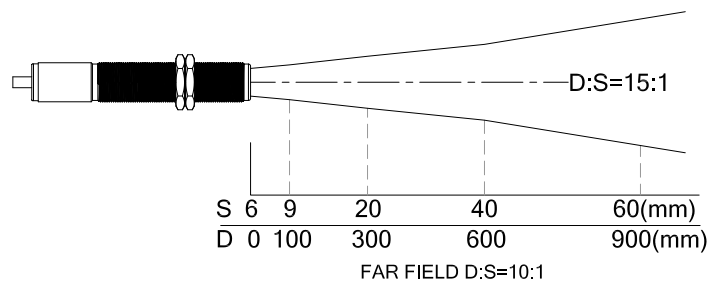
Temperature Range	-20°C ~ 500°C
Spectral Response	8 ~ 14 μm
Optics Resolution (90% energy)	15 : 1
Accuracy	±1.5% of reading or ±1.5(°C) whichever is greater ¹⁾²⁾³⁾
Repeatability	±0.5% of reading or ±1 (°C) whichever is greater ²⁾
Response Time	150 ms (95% signal)
Emissivity	0.100 ~ 1.100 (PC software adjustable)
Transmissivity	0.100 ~ 1.000 (PC software adjustable)
Temperature Resolution	0.1°C

- 1) At 23°C ± 5°C, emissivity = 0.95
 2) object temperature > 0°C
 3) ±3°C (object temperature ≤ 0°C)
 4) ±3.5°C (object temperature ≤ 0°C)

Dimensions(mm)

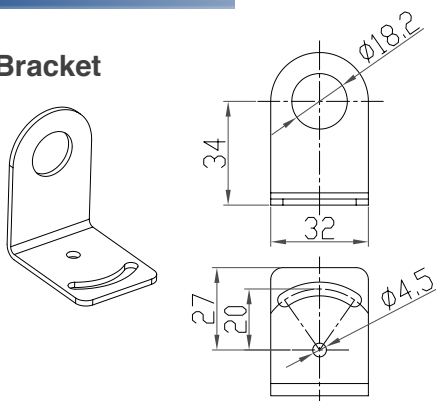


Optical Specifications



Optional Accessories

Fixed Bracket



Specifications are subject to change without notice
 NS18-E23-B